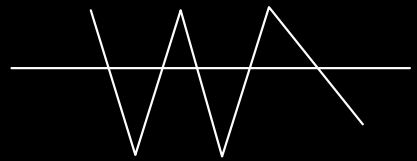
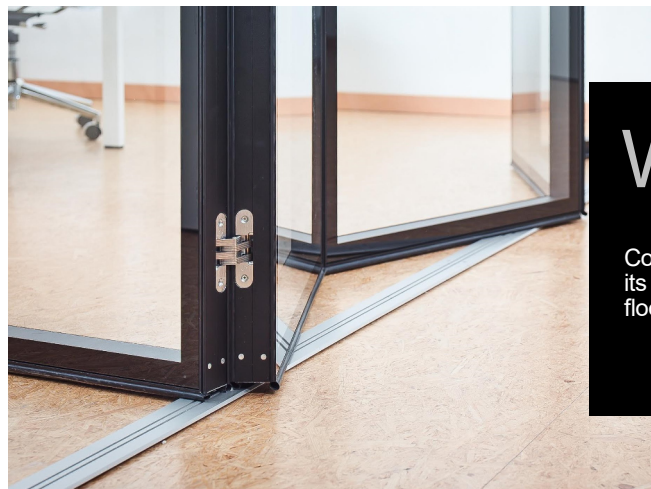




WAVE





WAVE FLOOR TRACK

Continuously hinged wall with its weight supported on the floor.



TECHNICAL DETAILS



Wave Door

WAVE can include a single/double door or, ultimately, a full height pass door. Single doors are the closure of a continuous system and can be double if two walls join in the middle, adding the possibility of having a fixed door on the opposite side of the wall jamb.



Floor Track

The floor track allows the weight of the structure to rest on it, as well as the closing mechanism. It is a discreet piece and prepared to be adapted to the floor with or without finishing.



WAVE TOP HUNG

Suspended continuously hinged wall with no floor track.




Enclosed Hinges

WAVE hinges are hidden. Thus, when the wall is closed, there is no element to counter the continuity of the wall. It is one of the outstanding aesthetic points in the development of the wall and is highly sought after by architects and designers.



Suspended without track

As paredes podem trabalhar suspensas numa calha fixa à lage correndo livres em baixo sem necessidade de qualquer guiamento inferior. De forma alternada os painéis são equipados com um mecanismo tipo cremona que garante a fixação e posicionamento do sistema.



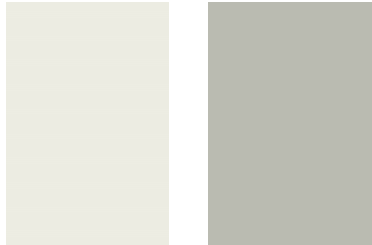
WAVE OPERABLE -WALL

Suspended independent element wall with no floor track.



FINISHES

Unicolor



WHITE - B3822

LIGHT GREY - L166

Wood



NATURAL NEBRASKA OAK - H3331 ST10

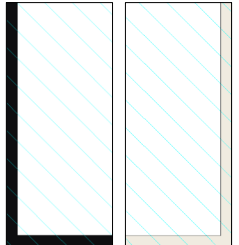
NATURAL DIJON WALNUT - H3734 ST9

HPL



WRITABLE WHITE BRIGHT

Glass



JET BLACK - RAL 9005 (standard)

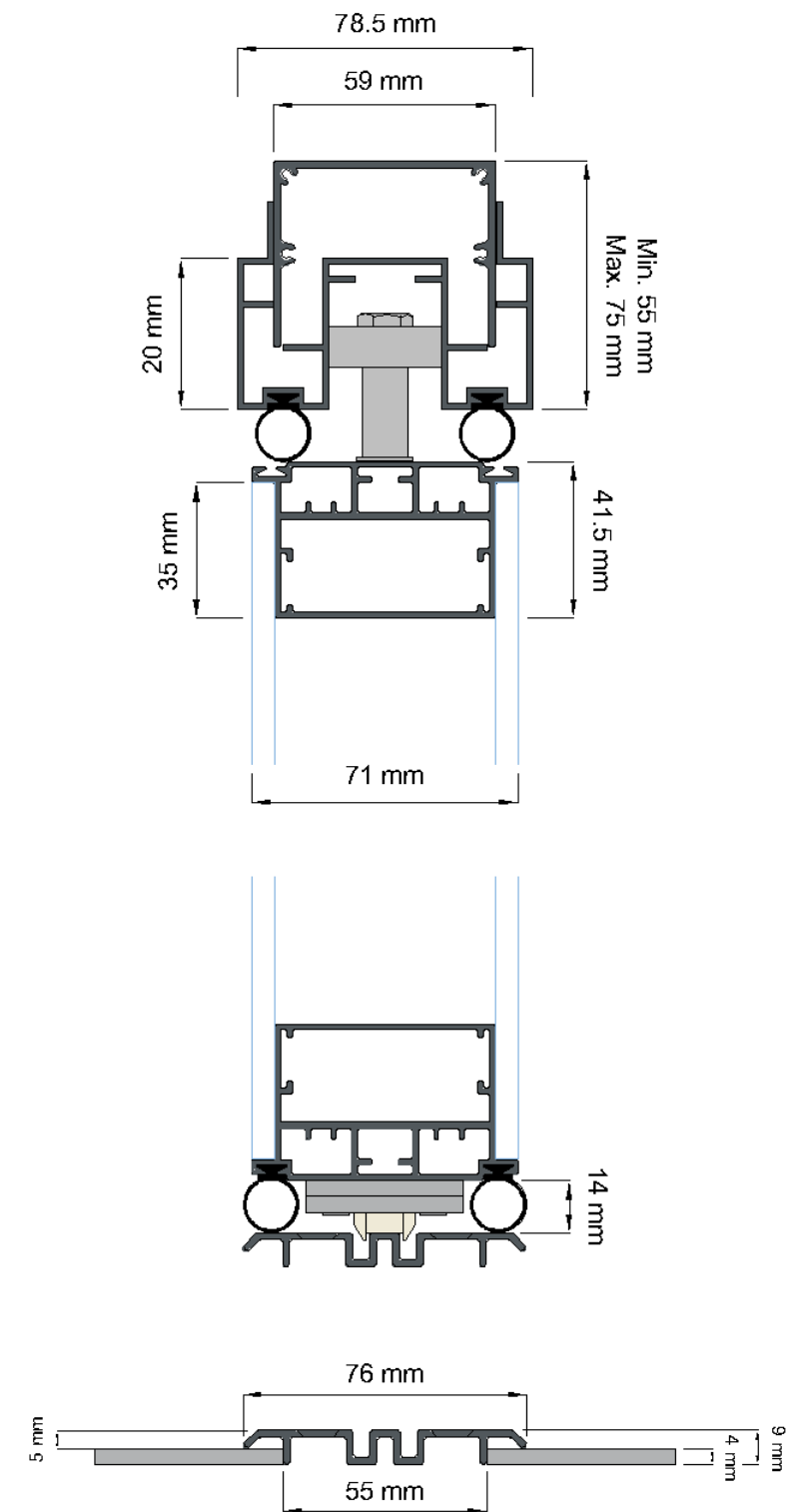
PURE WHITE - RAL 9010

Note: Other panel finishes and, profiles and glass painting under demand.



WAVE FLOOR TRACK

WAVE was developed in response to market needs to segment spaces, taking into consideration a high aesthetic sense. Innovative and minimalist, WAVE is a wall with enclosed hinges, which is simple to install, ensuring space isolation and fast parking. WAVE FLOOR GUIDED was designed with a floor track, having the wall weight totally supported by it.



TECHNICAL DATA

Dimensions

Thickness in mm – 71mm

Construction

Finishes – MFC | HPL | MDF | GLAZED

Element connections– aluminium profiles

Operation

Manual

Acoustic Rating dB (RW) 42-43

Thickness (mm) 71

Weight kg / m² 31(G)-28(S)

Max Panel Height (mm) 4000

Max Panel Width (mm) 500 - 1200

Panel Construction / Frame Aluminium

Max Opening Width mm Adjustable

Key-Points

Ceiling telescopic track, adaptable to different spaces

Available in a wide range of surface finish options

Floor supporting system

Panel closing system

Including pass door panels and glazing

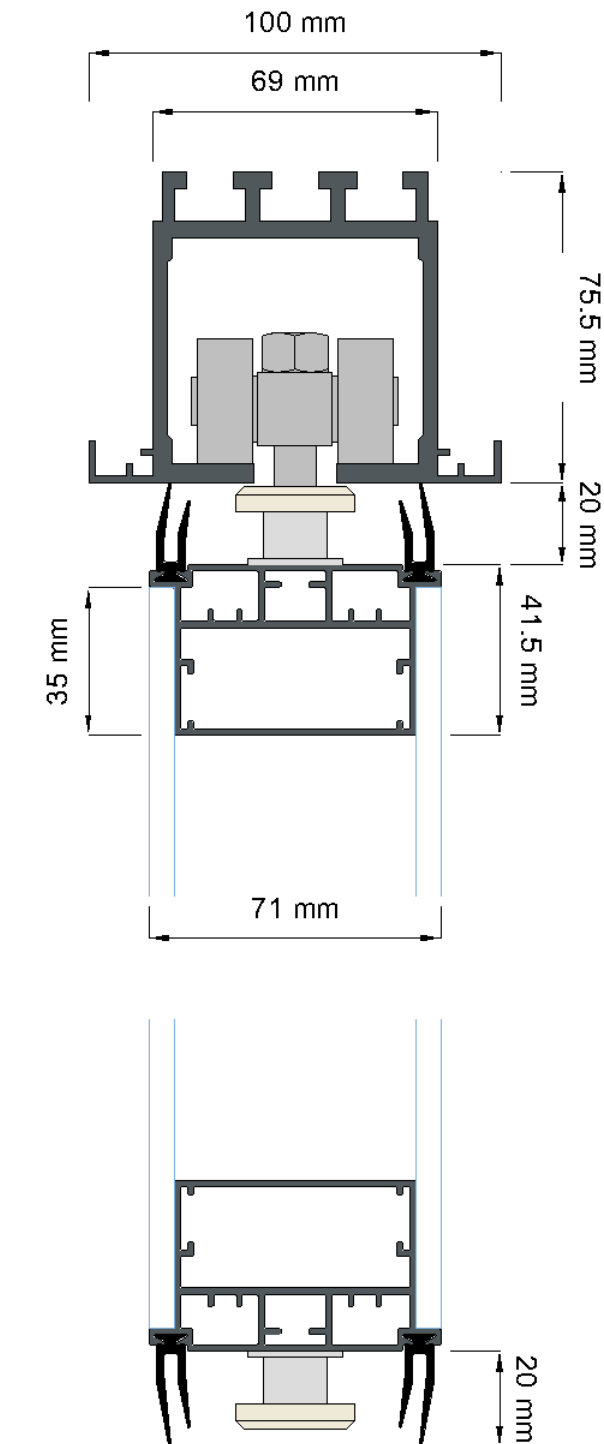
High aesthetic wall

Hidden hinges



WAVE^{TOP} HUNG

After WAVE FLOOR GUIDED success, WAVE TOP HUNG was created for customers looking for an alternative without floor track. The weight is now supported by the upper rail, reinforcing its innovative side and without ever losing its minimalist side.



TECHNICAL DATA

Dimensions

Thickness in mm – 71mm

Construction

Finishes – MFC | HPL | MDF | GLAZED

Element connections– aluminium profiles

Operation

Manual

Acoustic Rating dB (RW)	42-43
Thickness (mm)	70
Weight kg / m ²	31(V)-28(O)
Max Panel Height (mm)	4000
Max Panel Width (mm)	450 - 900
Panel Construction / Frame	Aluminium
Max Opening Width mm	Adjustable

Key-Points

No floor track

Available in a wide range of surface finish options

Panel closing system

Including pass door panels and glazing

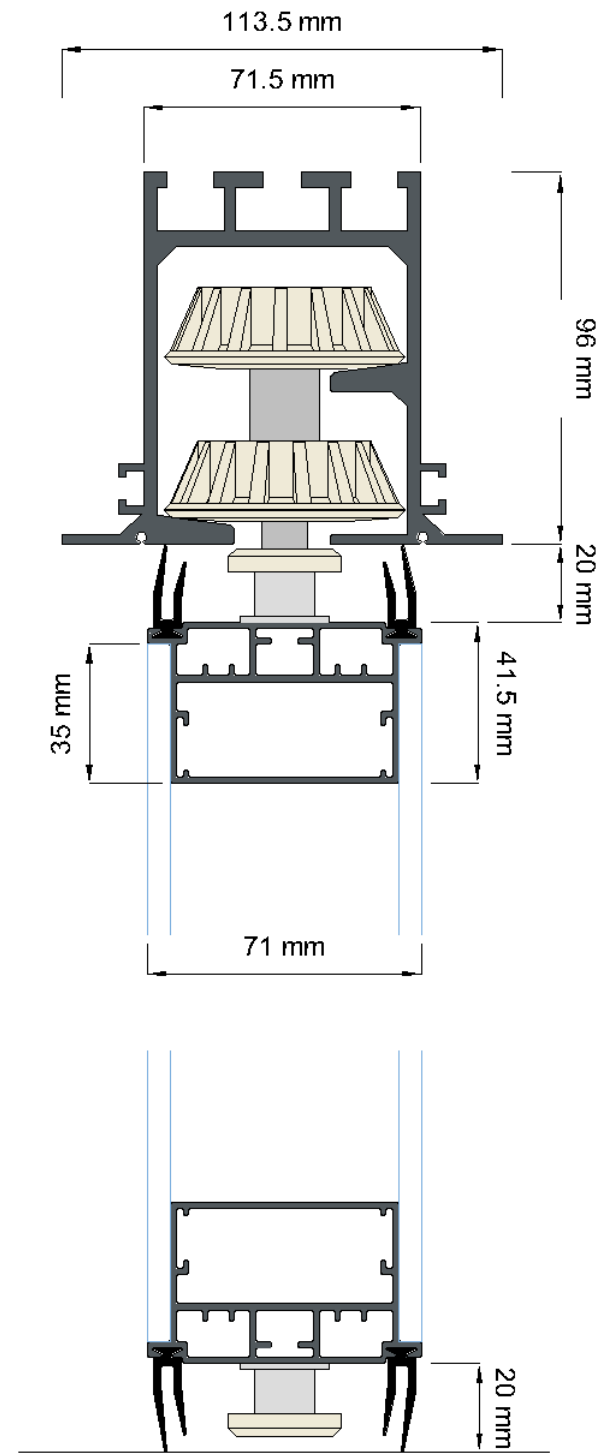
High aesthetic wall

Hidden hinges



WAVE OPERABLE-WALL

WAVE OPERABLE-WALL was also an addition to the range of WAVE solutions. Composed by independent elements, there is a greater versatility. This model is also suspended, with no need for a floor track.



TECHNICAL DATA

Dimensions

Thickness in mm – 71mm

Construction

Finishes – MFC | HPL | MDF | GLAZED

Element connections – aluminium profiles

Operation

Manual

Acoustic Rating dB (RW) 42-43

Thickness (mm) 70

Weight kg / m² 31(G)-28(S)

Max Panel Height (mm) 4000

Max Panel Width (mm) 450 - 900

Panel Construction / Frame Aluminium

Max Opening Width mm Adjustable

Key-Points

Independent panels can form different layouts and types of parking

Available in a wide range of surface finish options

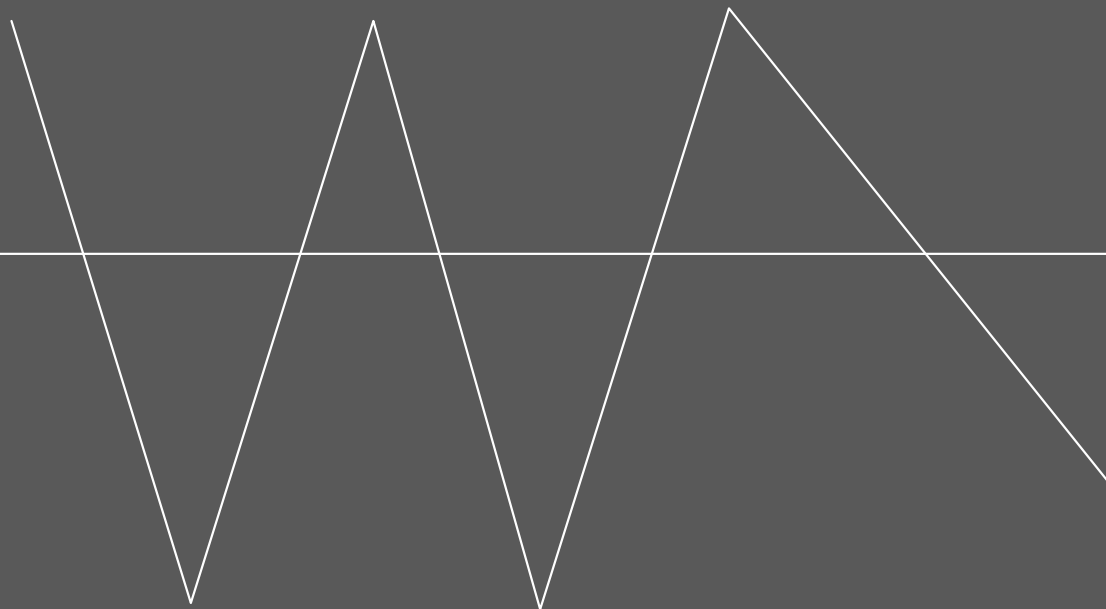
Moveable wall with reduced thickness

Panel closing system

Including pass door panels and glazing

High aesthetic wall

Hidden hinges



PCTS
INTELLIGENT SPACES

+351 244 032 910

www.pcts.pt
geral@pcts.pt

R. de Moçambique,
Nº 29, Ordem,
2430-379 Marinha
Grande,
Portugal